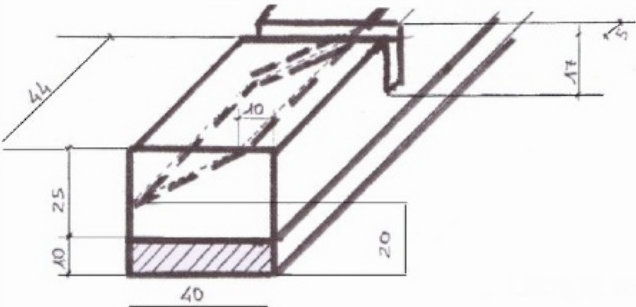


CUBER RUBBER BARS



ISI CUBER BAR SPECS (Rectangular & Triangular shape)

Length	Hole Pattern
470 mm	30-235-440
700 mm	50-250-450-650
770 mm	35-265-495-725
800 mm	55-285-515-745
900 mm	75-325-575-925
950 mm	70-340-610-880
1100 mm	75-425-675-1025
1150 mm	75-275-475-675-875-1075
1300 mm	50-250-550-750-950-1250

Length max. 1.300 mm

www.isi-na.com

Industrial Services International, LLC
 PO Box 60614, Potomac, MD 20859 USA
 Ph: **240-994-7154** Email: **sales@isi-na.com**